

May 12, 1942.

P. G. MIREMONT

2,282,766

TOY FOR SPORTS

Filed Sept. 6, 1939

2 Sheets-Sheet 1

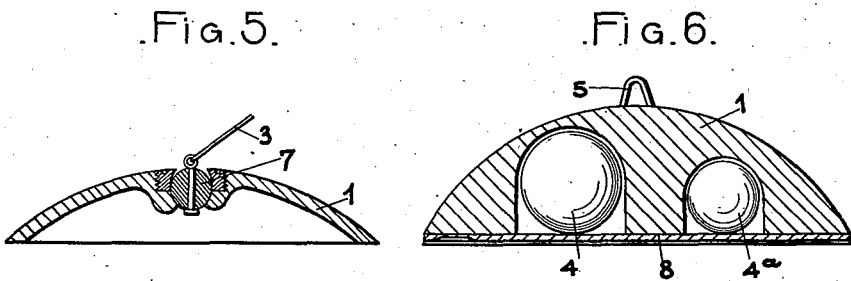
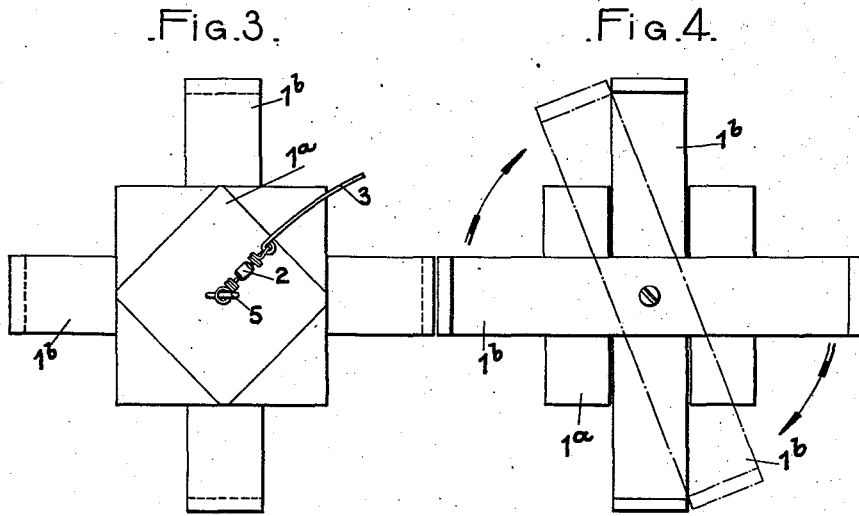
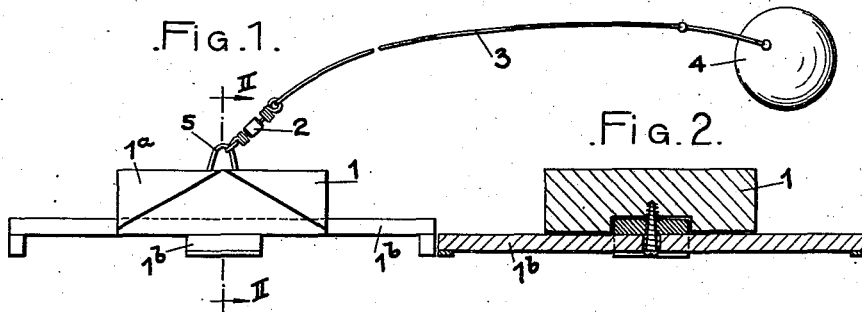


Fig. 7.

INVENTOR:
PIERRE GEORGES MIREMONT
BY: *Hasseltine, Lake & Co.*
ATTORNEYS

May 12, 1942.

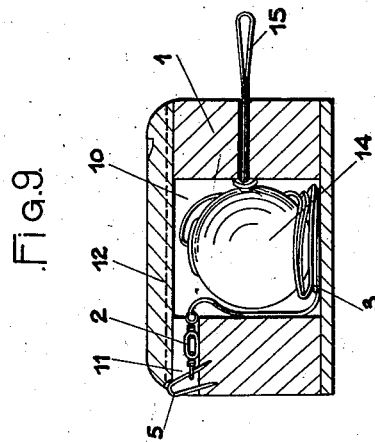
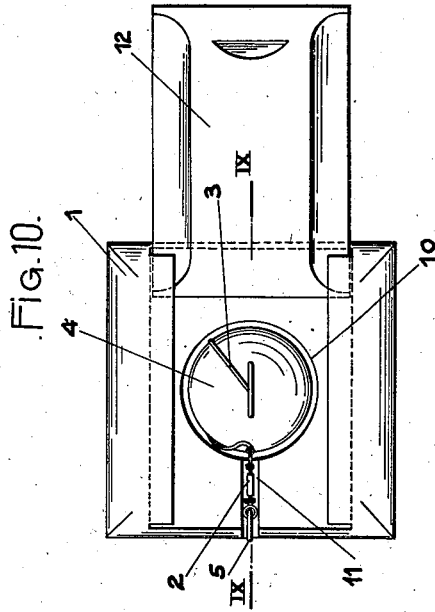
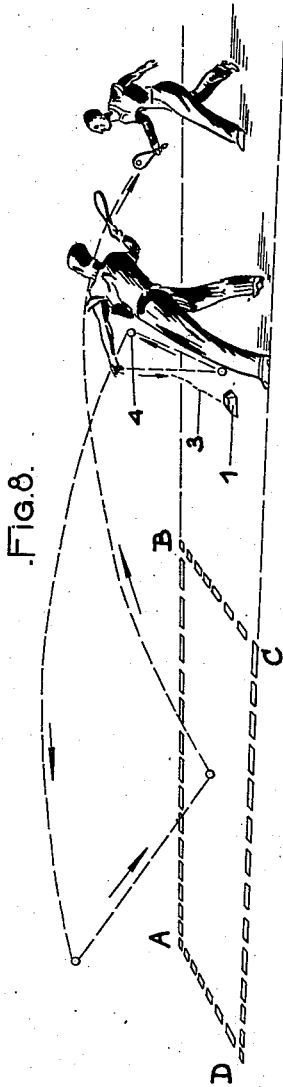
P. G. MIREMONT

2,282,766

TOY FOR SPORTS

Filed Sept. 6, 1939

2 Sheets-Sheet 2



INVENTOR:
PIERRE GEORGES MIREMONT
BY: *Hasseltine, Lake & Co.*
ATTORNEYS

UNITED STATES PATENT OFFICE

2,282,766

TOY FOR SPORTS

Pierre Georges Miremont, Bayonne, France

Application September 6, 1939, Serial No. 293,539

In France September 8, 1938

2 Claims. (Cl. 273—58)

Toys for sports are known which comprise a rubber ball or the like connected, by an elastic string, to the upper part of a vertical rod extending up to a certain height and which is provided with a heavy base. In these games, the base must have a considerable weight for avoiding any rocking under the action of the lateral pull exerted, at the upper end of the rod, by the elastic string stretched by the ball during the game.

It will also be noted that in said known games, owing to the presence of said rod on which the elastic string may become wound, it is impossible to cause the ball to describe trajectories extending near the ground and passing through a plane containing said rod, which considerably limits the rules of the game.

The present invention has for object a new toy for sports utilising a ball connected by an elastic string to a fixed attaching member, but in which said attaching member is mounted on a low base the height of which does not exceed twenty centimeters.

All the above mentioned inconveniences are thereby remedied.

In practice the height of the base is only of a few centimeters (4 to 8 centimeters).

According to a main feature which constitutes an important point of the present invention, the connection between the elastic string and the base is ensured by a pivotal joint allowing the string to freely rotate on itself about its longitudinal axis. It is thus that use can be made as pivotal joint, of a swivel ordinarily employed for fishing-rods or any other pivotal joint capable of having the same function.

The string is thus prevented from twisting on itself during the game, which twisting has a certain action on the ball when it touches the ground.

The invention expressly includes in its scope, the new application for attaching the string, of a swivel or like device.

The string can be entirely elastic or it can be elastic on a certain length and non-extensible on another part.

The base can be devised for accommodating the ball or balls and the string. In certain cases it can allow bats or rackets to be secured thereon, which are used by the players for striking the ball.

In the case in which the base is used for accommodating the ball and the string, said base is provided with a housing for said ball and said string and it comprises a sliding lid for closing

the housing which is provided with a transverse groove for receiving the swivel attached to a lateral projecting staple constituting an abutment for the sliding lid.

The invention also includes an embodiment in which the elastic string is round and its diameter is smaller than 1,5 millimeters.

The invention also includes other particular points which will appear in the following text with reference to the accompanying drawings given by way of example only, and in which:

Fig. 1 is a general elevation of a toy for sports devised according to the invention.

Fig. 2 is a section made according to line II—II of the preceding figure.

Fig. 3 is a top plan view of the base illustrated in Fig. 1.

Fig. 4 is an underside plan view and showing the partial concealing of the seating lugs.

Fig. 5 is a sectional elevation of a modified construction of a base.

Fig. 6 is a sectional elevation of another embodiment.

Fig. 7 is a picture showing the toy being used.

Fig. 8 is a diagrammatic view showing the utilisation of the toy for sports.

Fig. 9 is a sectional elevation made according to line IX—IX of Fig. 10 and showing another embodiment of the toy, the lid being shut.

Fig. 10 is a plan view corresponding to the preceding figure, the lid being open.

The toy for sports according to the invention and which is called "Jokari" or "Pelote" is constituted by a low base 1 on which is secured, through the medium of a pivotal joint 2, one of the ends of an elastic string 3 the other end of which carries a ball 4. The string 3 is preferably made of rubber and the ball 4 is resilient.

In the example of Figs. 1, 2, 3 and 4, the base 1 is constituted by a body 1^a provided with seating lugs 1^b, one of the latter being pivotally mounted. On the body 1^a is secured a staple 5 receiving one of the ends of a swived 2 the other end of which is secured to the string 3.

Fig. 5 illustrates another embodiment in which the string 3 is secured through the medium of a spherical joint or ball 7 mounted in a corresponding recess of the base 1.

Fig. 6 shows another embodiment in which the base 1 is recessed for receiving an ordinary ball 4 and a small ball 4^a for the case in which the players are children.

The balls are held in the recesses by a sliding plate 8. The string 3 can also be dismantled, in

this case, the swivel is secured to the staple by means of a snap-hook.

As illustrated in Fig. 7, the players strike the ball with bats or rackets and the latter is brought back by the elastic string 3. It is thus possible to play a game similar to Basque tennis but without a court. The support 1 can also be placed at the centre of a circumference and any ball falling outside the circle limited by said circumference can be considered as null. It is possible to establish numerous rules of the game.

Fig. 8 shows the utilisation of the toy for sports for playing Basque tennis but without a court. The ball 4, connected to the base 1 by the elastic string 3 is successively struck by the players but must touch the ground within the space limited by the rectangle ABCD which thus replaces the court.

In the example of Figs. 9 and 10, the box 1 is provided with a cylindrical housing 10 for receiving the ball 4 and the string 3 which is connected by the swivel 2 to the attaching member 5, said swivel being placed in a lateral groove 11. The ball 4 and the elastic 3 are held in the housing 10 by a sliding lid 12, as the string 3 keeps better in the dark. The lid 12 abuts in closed position against the attaching member 5 and a gripping loop is provided at 15 for carrying the base.

It will also be noted that the elastic string 3 is round and of relatively small diameter, substantially smaller than 1,5 millimeters.

It is obvious that the embodiments described and illustrated are given herein only by way of indication and not in a limiting sense. All modifications or changes which do not alter in any way the main features above set forth or the desired result remain included in the scope of the present invention.

What I claim as my invention and desire to secure by Letters Patent is:

1. A toy for sports utilizing a ball connected by an elastic string to a fixed attaching means, and including a base having the attaching means secured to the upper portion thereof and having a convex form with a stable bottom, said base being designed interiorly beneath said attaching means for accommodating the ball and the elastic string for storage within the profile thereof, and a movable closure means disposed above said attachment means for retaining said ball and elastic string in said base.

2. A toy for sports according to claim 1, having the base provided with a housing for the ball and elastic string within the outline thereof beneath the portion to which the attaching means is secured and a sliding lid forming the closure means, said housing being provided with a transverse groove for receiving that attachment means, said attachment means including a projecting staple fixed in said groove and forming an abutment for said lid, and a swivel connecting said elastic string to said staple.

PIERRE GEORGES MIREMONT.